

MODEL	MODEL NUMBER	COLOR
Axon Fleet 3 Wireless Mic	AX1034, AX1035	Black

## SPECIFICATIONS (Mic)

Operating temperature	-4–158 °F (-20–70 °C) <sup>1</sup>
Charging temperature	41–123 °F (5–45 °C)
Storage temperature	-40–158 °F (-40–70 °C) <sup>1,2</sup>
Battery	12 V, 500 mA rechargeable lithium-ion polymer <sup>3</sup>
Battery runtime	More than 12 hours of battery life under normal operation <sup>4</sup>
Humidity	85% non-condensing
RF frequency	902–928 MHz ISM band
Protocol	Proprietary, frequency hopping, encrypted
Ingress standard	IP65/IP67 (dust and water) <sup>5</sup>

## FEATURES

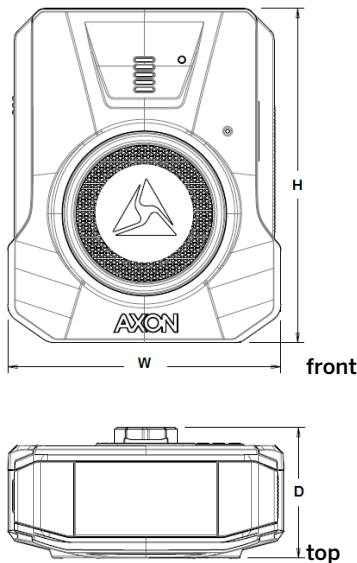
- Event button to start recording
- Power button for easy on/off
- Record audio up to 984 feet (300 m) from the vehicle in unobstructed line-of-sight, 328 feet (100 m) with light obstructions
- Internal microphone or external lapel microphone
- Automatically powers off when docked in a charging base that isn't powered
- Top and front-mounted LED indicators show buffering and recording status
- LCD screen displays system status, battery level, and recording indicator
- Battery charges to 85% within 90 minutes
- AAC audio codec
- Charging base input rating: 54 V, 150 mA

## DIMENSIONS AND WEIGHT

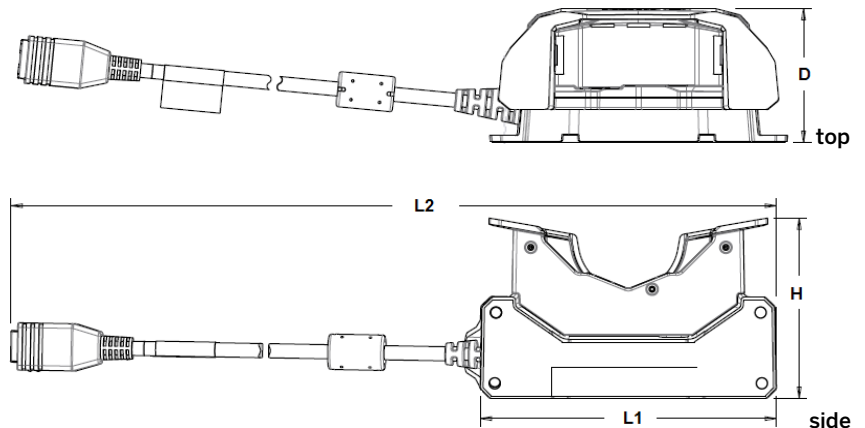
Wireless mic	
Width (W)	2.75 in. (70 mm)
Height (H)	3.35 in. (85 mm)
Depth (D)	1.28 in. (32.5 mm)
Weight	5.6 oz (160 g)

Charging base	
Depth (D)	2.22 in. (5.65 cm)
Length 1 (L1)	4.9 in. (12.5 cm)
Length 2 (L2)	12.7 in. (32.2 cm)
Height (H)	3.0 in (76.4 cm)
Weight	9.4 oz (267 g)

Model: AX1035



Model: AX1034



<sup>1</sup> Applies to both mic and charging base. <sup>2</sup> Device integrity may be affected if stored for more than 30 days at the high temperature. Long-term storage should be in a climate-controlled environment. <sup>3</sup> Rechargeable lithium-ion polymer batteries have a limited lifespan. With age, batteries will gradually lose their capacity to hold a charge. This loss of capacity (aging) is irreversible. As the battery loses capacity, the length of time it will power your device (run-time) decreases. <sup>4</sup> Temperature, other ambient conditions, and usage can affect battery life. <sup>5</sup> Water in the lapel mic port can temporarily affect operation; for lapel microphone-capable units with no lapel mic, install the socket plug in the connection socket.

For detailed operating instructions and video walk-throughs, scan the QR code or go to <https://my.axon.com/s/axon-fleet3>.

